

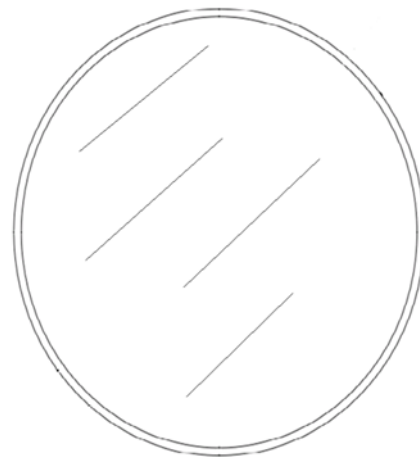
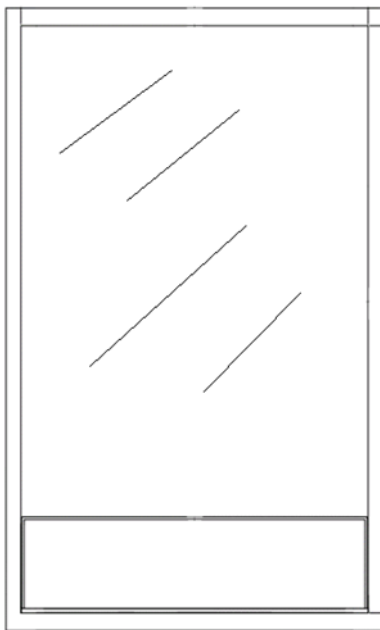
USER MANUAL



Thank you for choosing Better Bathrooms.
Please read this manual before installing your product
and keep for future reference.

better 
bathrooms

Non-Illuminated Bathroom Mirror BeBa_24920 & BeBa_24921



- **Single-person assembly**
- **We always recommend using professional tradespeople to install your product**

V1_30.10.2020

Congratulations on your purchase

And welcome to our growing gang of savvy shoppers

We're on a mission to bring you extraordinary bathroom products, for less. From modern to traditional style ceramics, plus the gorgeous fixtures, fittings and furniture to match. So, you can fall in love with your space every single day.

As one of the UK's largest independent bathroom stores, we've received countless awards; including the National Business Awards UK, the Digital Entrepreneur Awards and being placed on The Sunday Times Fast Track 100.

We hope your new product exceeds your highest expectations. However, if you experience any problems, please:

- call our friendly UK call centre on **03303903062** (9am-7pm Monday to Friday, or 10am-4pm Saturday and Sunday), or
- send us a message via **customerservices@buyitdirect.co.uk**

Important information

- Please read these instructions thoroughly and retain for future reference
- Always check for pipes and cables before drilling walls

Parts

Mirror x 1

Wall Screws x 2

Hanging Bracket x 1 (depending on model)

Wall Plugs x 2

Tools required



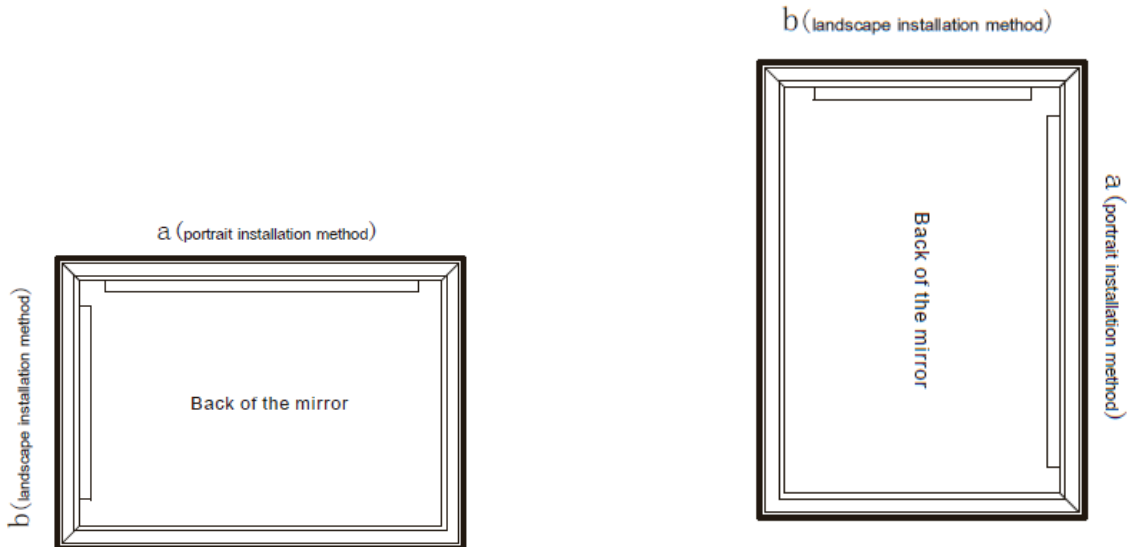
Installation

– Check the product for damage prior to installation

Before any drilling is carried out, please check for pipes and wires within the wall which could be damaged.

Decide upon the hanging orientation of the mirror.

Model A



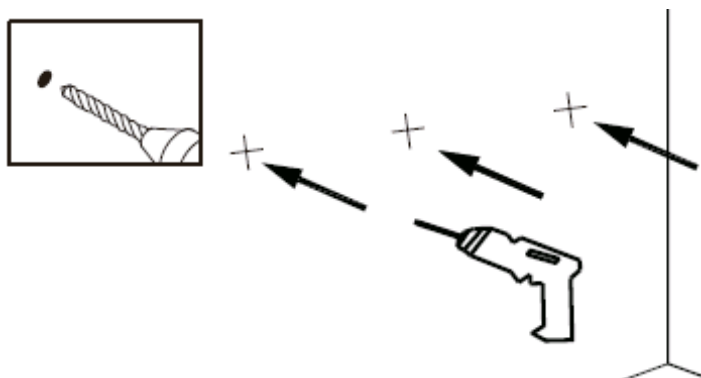
Model A

Offer the hanging bracket up to the wall in the desired location.

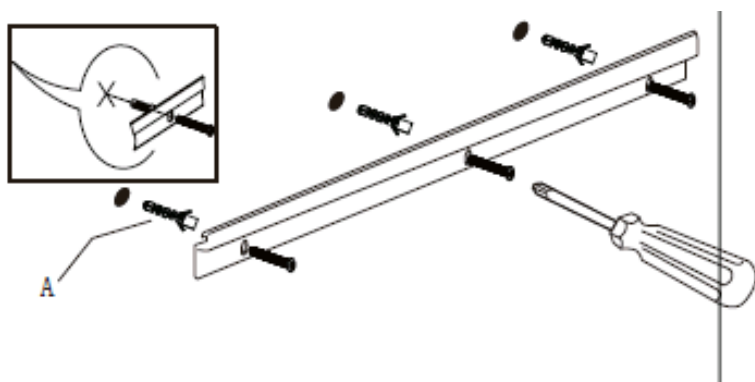
Mark the screw hole locations on the wall through the hanging bracket, ensuring the holes are level, using a spirit level.



Drill the wall at the marked points on the wall for your required orientation and insert the wall plugs and tap until flush with the finished wall surface.



After fitting the wall plugs, insert the screw and tighten until the bracket is secured.

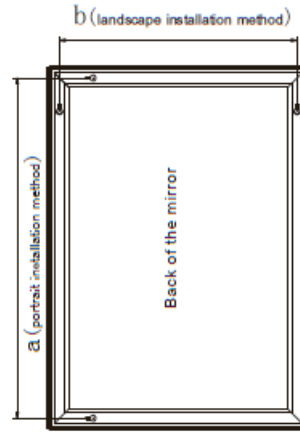
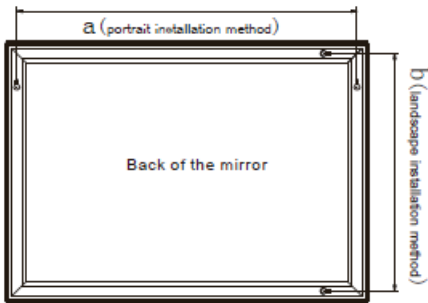


When the bracket is secured, lift and hook the mirror onto the secured bracket.

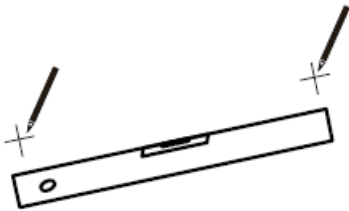
Model B

Before any drilling is carried out, please check for pipes and wires within the wall which could be damaged.

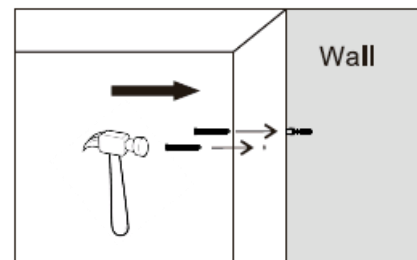
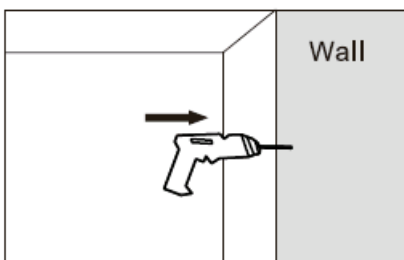
Decide upon the hanging orientation of the mirror and measure between the fixing points on the back of the mirror.



Mark this dimension on the wall, ensuring the holes are level, using a spirit level.

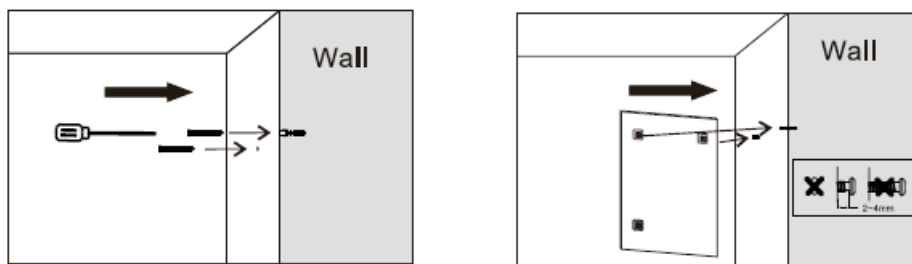


Drill the wall at the marked points on the wall for your required orientation and insert the wall plugs and tap until flush with the finished wall surface.



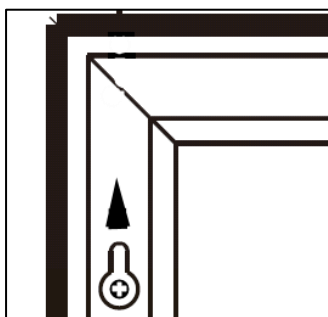
After fitting the wall plugs, insert the screw and tighten, DO NOT tighten the screw fully to the wall surface.

Tighten the screw until it is between 2 -4 mm from the wall surface, as shown below.



When the screw is correctly located, offer the rear of the mirror to the wall to engage the bracket onto the screws.

When the bracket is hooked onto the screw gently push down on the mirror so that the screw pushes into the slot on the rear, as shown below



Screw positioned in the hole on the mirror, before pushing down the mirror secure the screw into the slot

Cleaning

Wipe the mirror clean and dry regularly, especially when the mirror is subject to steam or splashes.

Do not use harsh chemicals or materials on the product, as this will damage the product and invalidate your guarantee.

To clean and maintain the product, wipe using a clean damp cloth and wipe dry with a soft cloth.

For more information

- visit betterbathrooms.com
- email customerservices@buyitdirect.co.uk
- call 03303903062
- write to Trident Business Park, Neptune Way, Huddersfield, HD2 1UA

**better
bathrooms**

Part of the BuyItDirect Group

